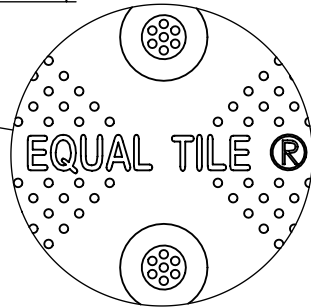


DETAIL A

COUNTERSUNK HOLE WITH
 Ø.250 THRU HOLE FOR
 1/4" X 1 1/2" COMPOSITE
 SLEEVE ANCHORS [24X]



WWW.EQUALTILE.COM

ADVANCED ROADWAY MANUFACTURING INC

ALL DIMENSIONS NOMINAL
 PRIMARY DIMENSION = INCHES
 [mm] IN PARENTHESES

DRAWING #:	SCALE:
36SAT-10060	1 : 6

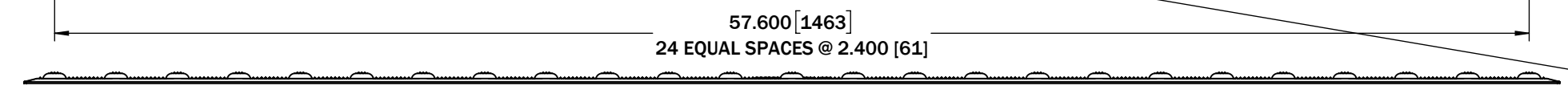
PART #:	DATE:
EQL-36x60-SAT	12-8-21

MATERIAL: **COMPOSITE**

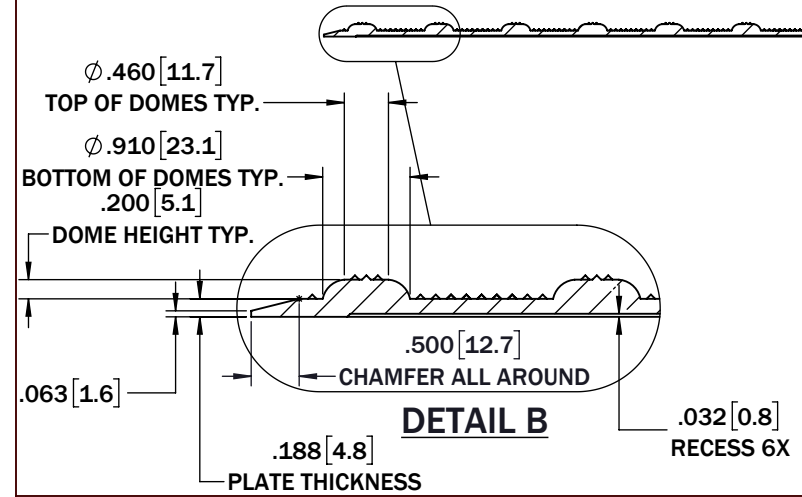
PRODUCT NAME:
**36" [914mm] X 60" [1524mm]
 SURFACE APPLIED TACTILE
 WARNING SURFACE**

EQUALTILE

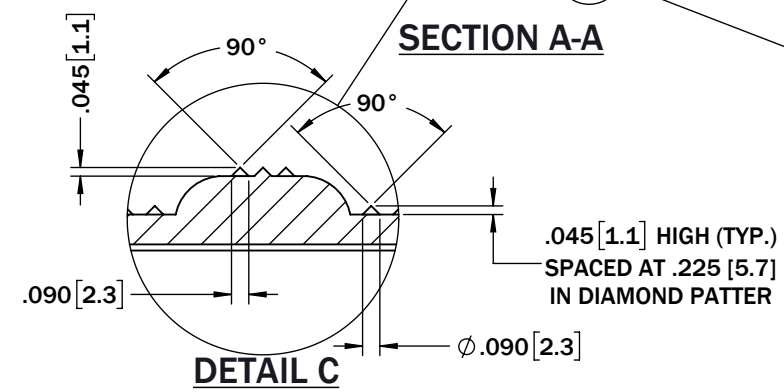
TEL: (800) 996-4510
 WWW.EQUALTILE.COM
 ENGINEERING@EQUALTILE.COM



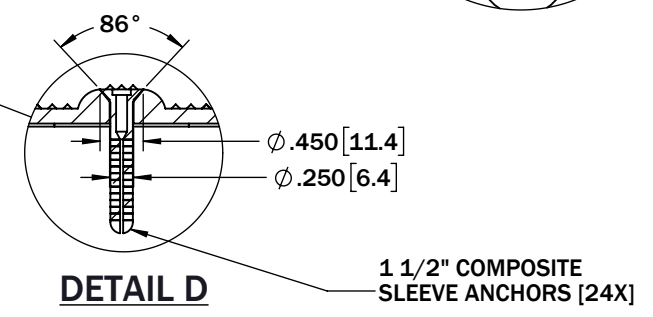
SECTION A-A



DETAIL B



DETAIL C



DETAIL D