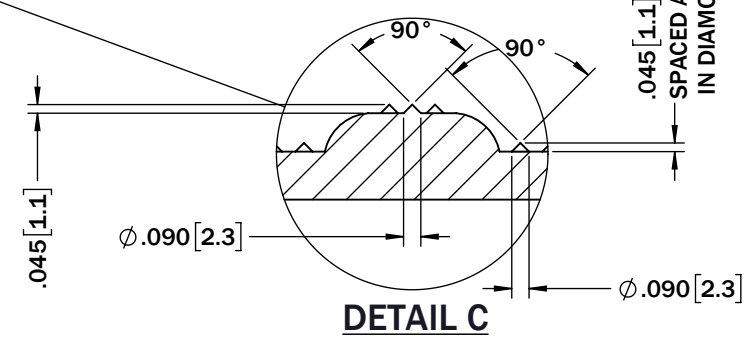
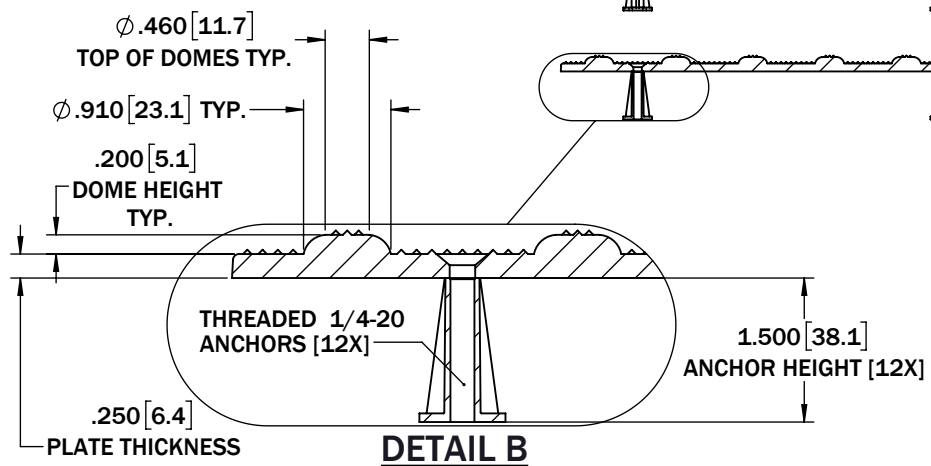


45.600 [1158.2]
19 EQUAL SPACES @ 2.400 [61]

COUNTERSUNK HOLE WITH
Ø .266 THRU HOLE FOR
1/4-20 BOLT TO ANCHORS [12X]

1.200 [30.5] TYP.



WWW.EQUALTILE.COM

MADE BY:

ALL DIMENSIONS NOMINAL
PRIMARY DIMENSION = INCHES
[mm] IN PARENTHESES

DRAWING #: 36CIP-10048 SCALE: 1 : 6

PART #: EQL-36x48-CIP DATE: 9-10-21

MATERIAL: COMPOSITE

PRODUCT NAME:
36" [914mm] X 48" [1219mm]
CAST-IN-PLACE TACTILE
WARNING SURFACE



TEL: (800) 996-4510
WWW.EQUALTILE.COM
ENGINEERING@EQUALTILE.COM