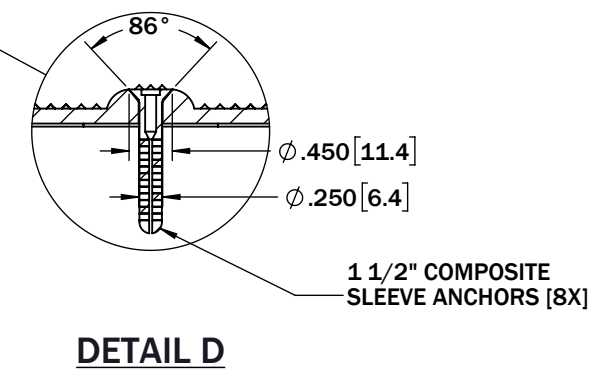
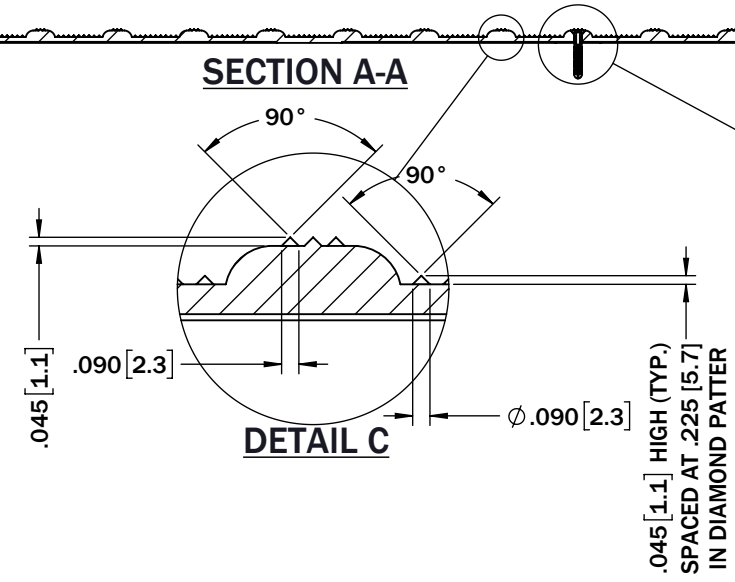
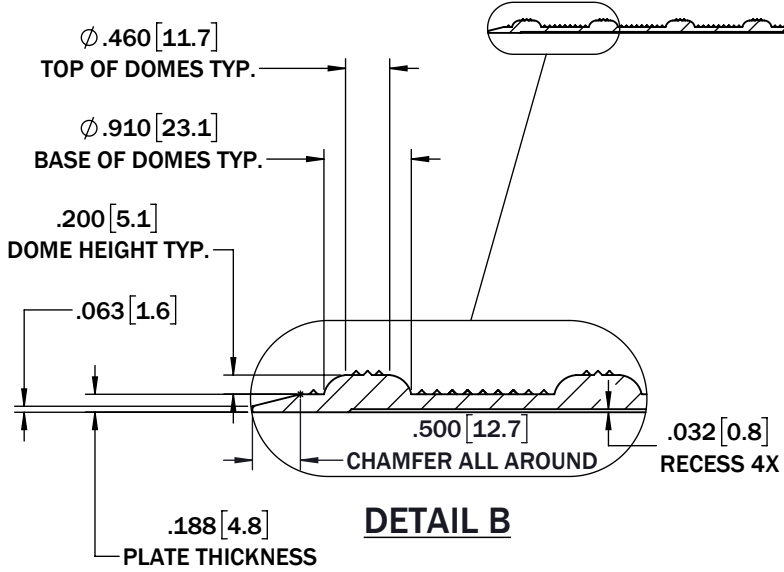
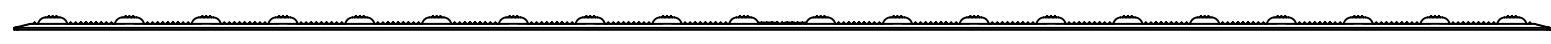
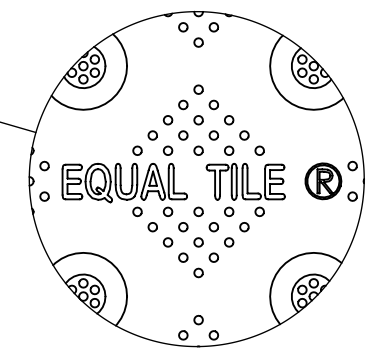


COUNTERSUNK HOLE WITH  
 $\phi$ .250 THRU HOLE FOR  
 1/4" X 1 1/2" COMPOSITE  
 SLEEVE ANCHORS [12X]



www.EQUALTILE.COM

**ADVANCED ROADWAY MANUFACTURING INC.**

ALL DIMENSIONS NOMINAL  
 PRIMARY DIMENSION = INCHES  
 [mm] IN PARENTHESES

DRAWING #:	SCALE:
24SAT-10048	1 : 6

PART #:	DATE:
EQL-24x48-SAT	12-8-21

MATERIAL: **COMPOSITE**

PRODUCT NAME:  
**24" [610mm] X 48" [1219mm]  
 SURFACE APPLIED TACTILE  
 WARNING SURFACE**

**EQUALTILE**

TEL: (800) 996-4510  
 WWW.EQUALTILE.COM  
 ENGINEERING@EQUALTILE.COM