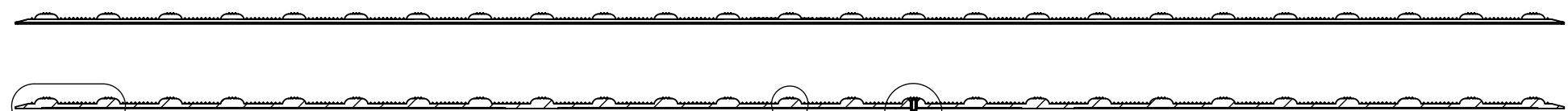
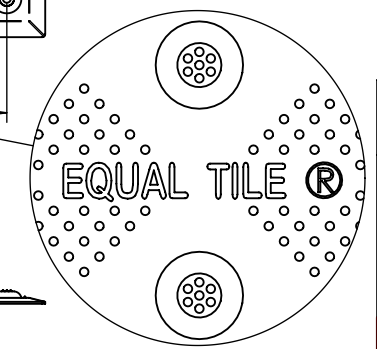


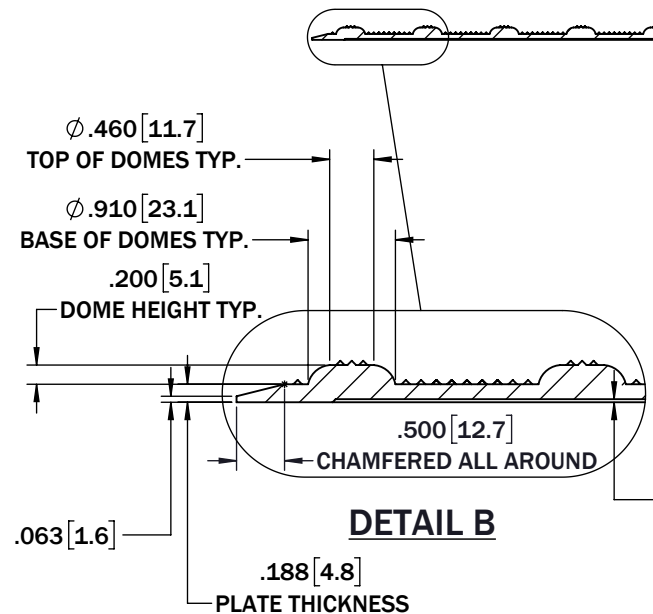
DETAIL A

COUNTERSUNK HOLE WITH
 ϕ .250 THRU HOLE FOR
 1/4" X 1 1/2" COMPOSITE
 SLEEVE ANCHORS [18X]

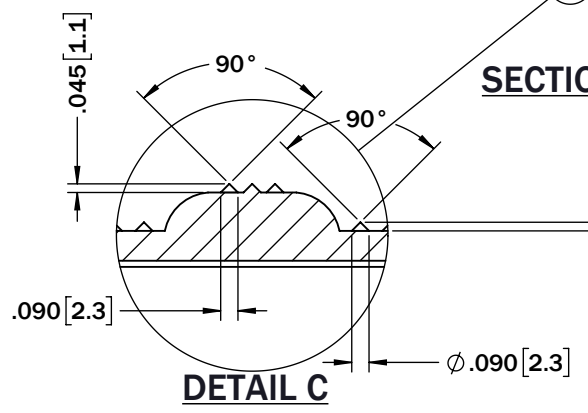
57.600 [1463]
 24 EQUAL SPACES @ 2.400 [61]



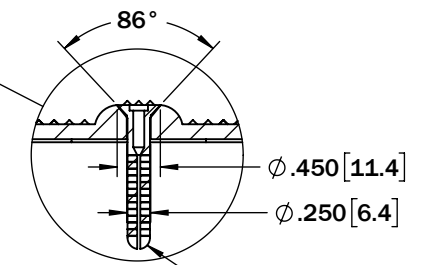
SECTION A-A



DETAIL B



DETAIL C



DETAIL D

1 1/2" COMPOSITE
 SLEEVE ANCHORS [18X]

WWW.EQUALTILE.COM

ADVANCED ROADWAY MANUFACTURING INC

ALL DIMENSIONS NOMINAL
 PRIMARY DIMENSION = INCHES
 [mm] IN PARENTHESES

DRAWING #:	SCALE:
24SAT-10060	1 : 6

PART #:	DATE:
EQL-24x60-SAT	12-8-21

MATERIAL: **COMPOSITE**

PRODUCT NAME:
**24" [610mm] X 60" [1524mm]
 SURFACE APPLIED TACTILE
 WARNING SURFACE**

EQUALTILE

TEL: (800) 996-4510
 WWW.EQUALTILE.COM
 ENGINEERING@EQUALTILE.COM