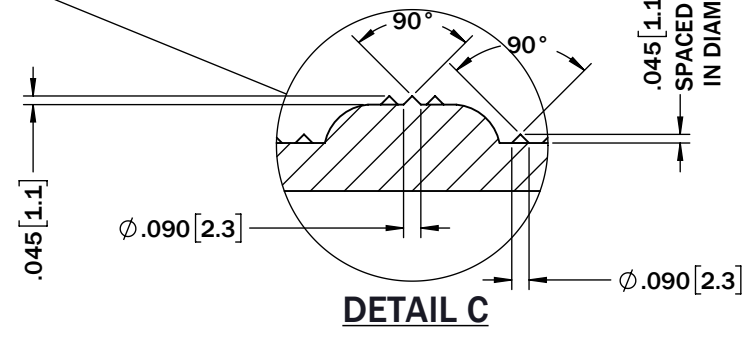
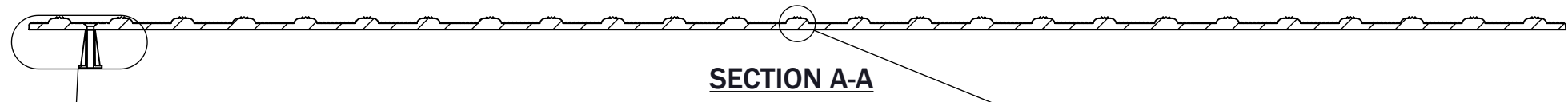
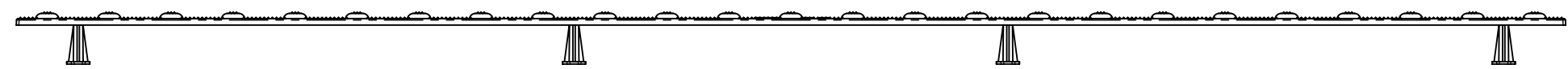


COUNTERSUNK HOLE WITH
 ϕ .266 THRU HOLE FOR
 1/4-20 BOLT TO ANCHORS [8X]



WWW.EQUALTILE.COM

MADE BY:

ALL DIMENSIONS NOMINAL
 PRIMARY DIMENSION = INCHES
 [mm] IN PARENTHESES

DRAWING #: 24CIP-10060
 SCALE: 1 : 6

PART #: EQL-24x60-CIP
 DATE: 9-10-21

MATERIAL: COMPOSITE

PRODUCT NAME:
 24" [610mm] X 60" [1524mm]
 CAST-IN-PLACE TACTILE
 WARNING SURFACE



TEL: (800) 996-4510
 WWW.EQUALTILE.COM
 ENGINEERING@EQUALTILE.COM