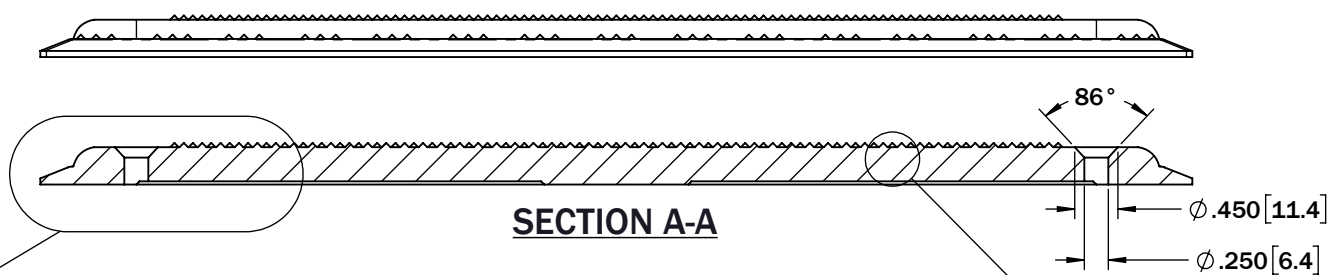
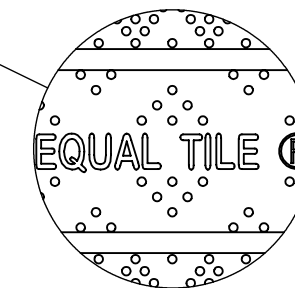
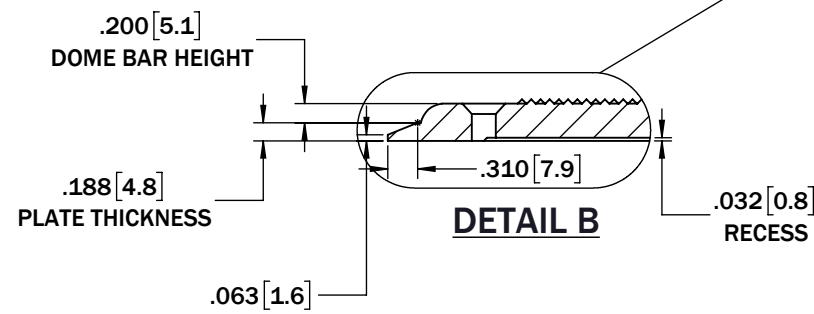


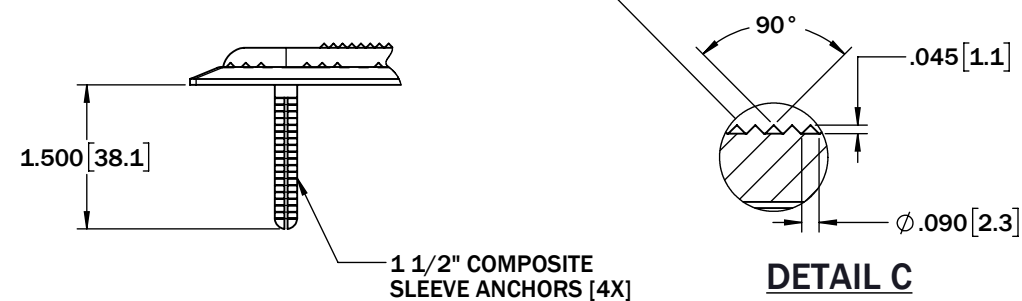
DETAIL A



SECTION A-A



DETAIL B



DETAIL C

www.EQUALTILE.COM



ALL DIMENSIONS NOMINAL
PRIMARY DIMENSION = INCHES
[mm] IN PARENTHESES

DRAWING #:	SCALE:
6SAT-DIR-12	1 : 2

PART #:	DATE:
EQL-6x12-SAT-DIR	4-15-22

MATERIAL: **COMPOSITE**

PRODUCT NAME:
**6" [152mm] X 12" [305mm]
SURFACE APPLIED
DIRECTIONAL TILE**



TEL: (800) 996-4510
WWW.EQUALTILE.COM
ENGINEERING@EQUALTILE.COM